

Hydraulic silencers from Hydroton

A correct pulsation damper is of great importance for a silently operating hydraulic installation. Hydroton designs and manufactures custom hydraulic pulsation dampers, or silencers. In addition to reducing the pulsating sound of the pump and dampening resonance in the hydraulic system, these silencers have even more advantages. For example, the life of your hydraulic components will be significantly longer due to the friendly oil flow in your installation. In addition, it's less likely for couplings and other fasteners to vibrate loose. We are happy to help you design and calculate your hydraulic installation with damping, specific for your application. Is your intended solution not listed among our standard solutions? Please do not hesitate to contact the technical advisors of the Sales department; they will make a suitable design for you.

Standardization in hydraulics

Due to the increasing demand for sound-absorbing solutions within shipbuilding, luxury yacht building and industry, Hydroton has developed a standard line of products. These hydraulic silencers are available in various compact designs and have an interesting delivery time and are competitively priced.

Hydroton delivers custom products

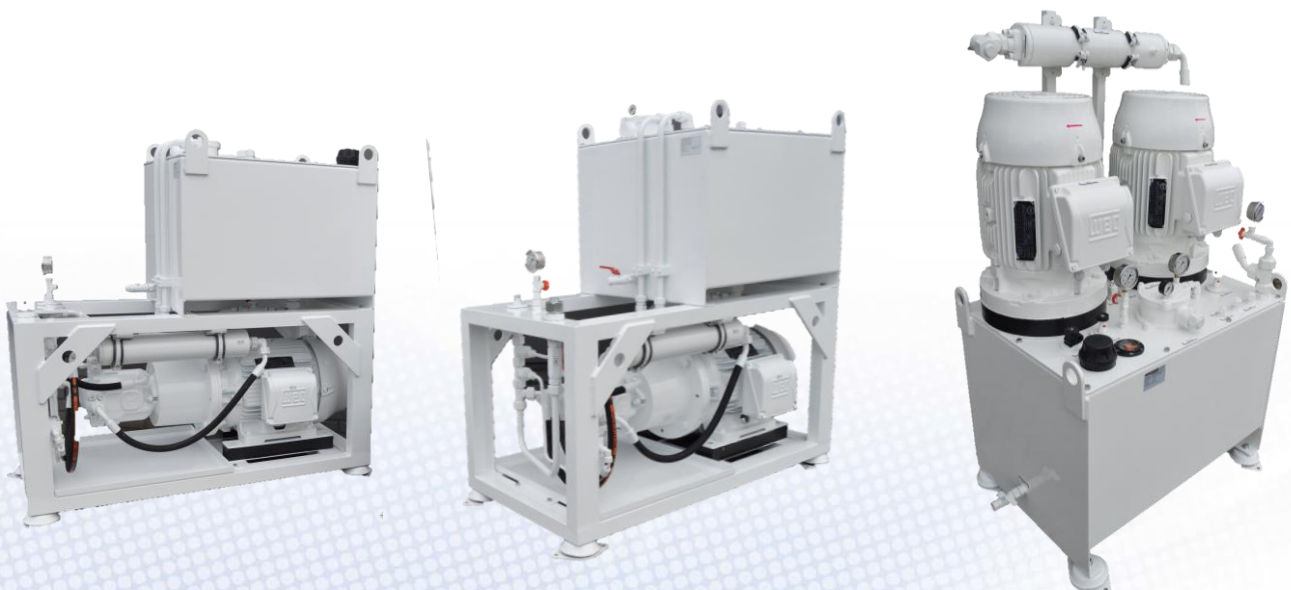
When it is necessary to deviate from the standardized components, that is no problem. Hydroton supplies hydraulic installations, cylinders and components for use in offshore, infrastructure, machine building and displacing techniques. We calculate your hydraulic cylinder for you and provide a 3D model and working drawing for approval. Hydroton makes a suitable solution for every challenge.

Conservation

When hydraulic silencers are exposed to the elements, it is important to apply proper conservation. Hydroton has extensive experience in applying in different types of coating. In addition, it is even possible to electrolytically galvanize hydraulic silencers to greatly extend the life of the hydraulic silencer. Our products are finished in a high-quality conservation of your choice, in every possible colour and according to any desired conservation protocol.

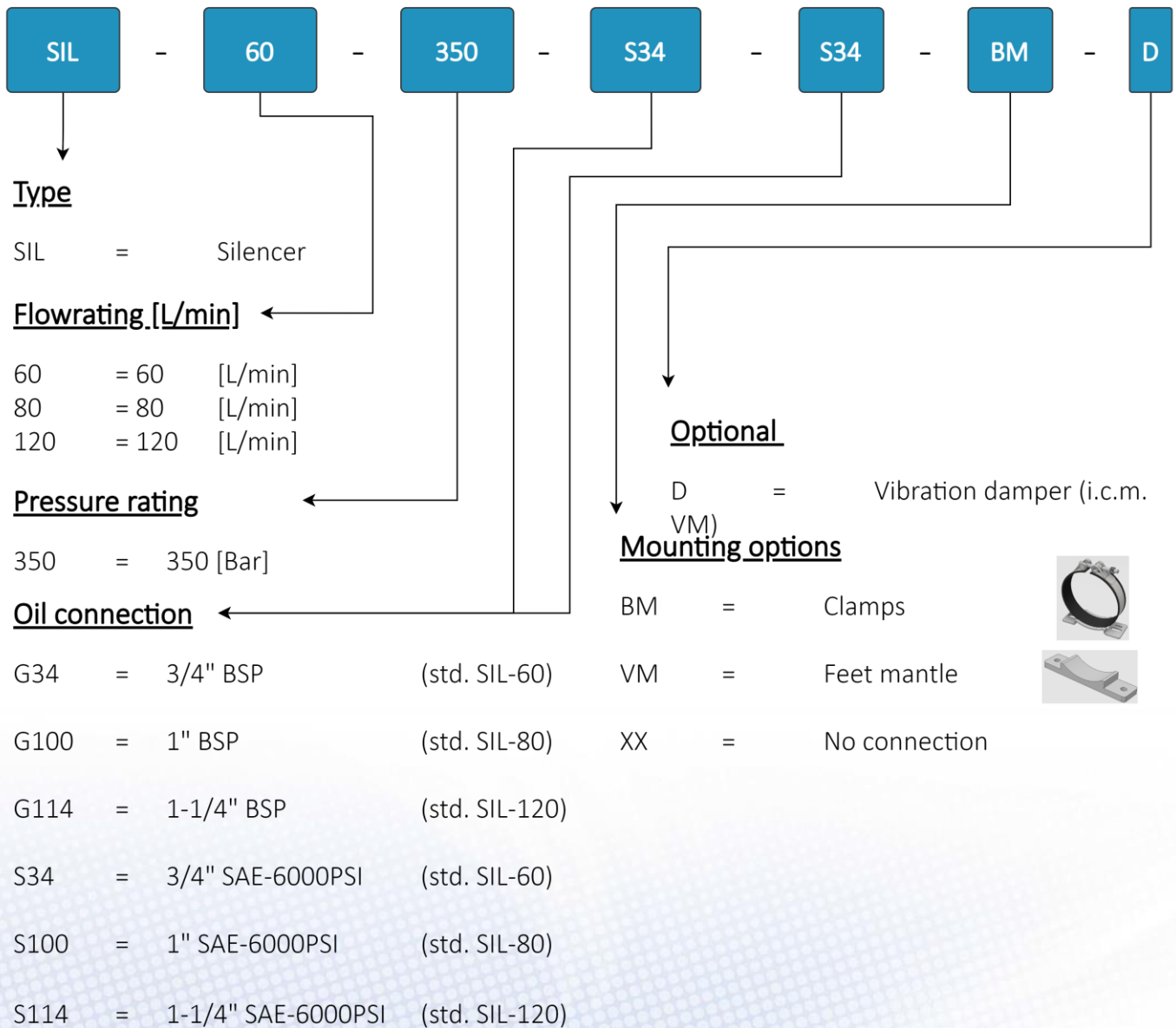
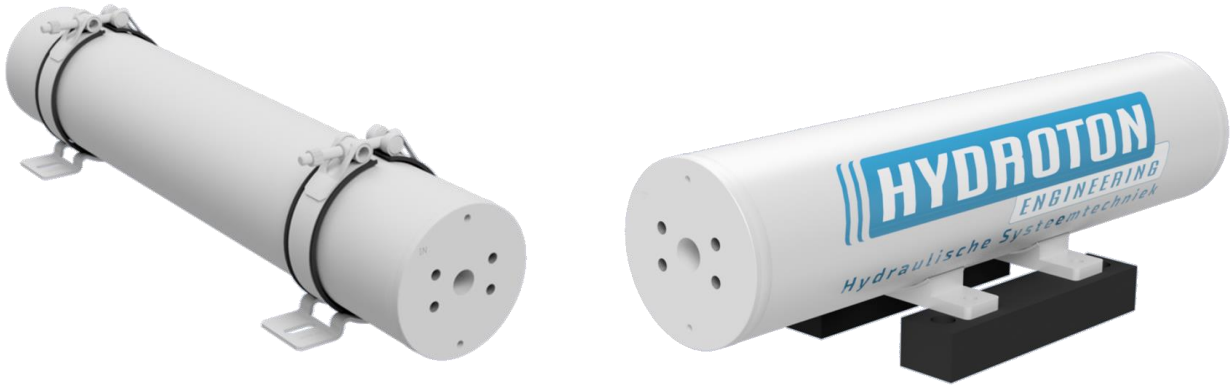
Options

Hydraulic silencers can be supplied by Hydroton with feet on the mantle or with loose mounting brackets. The connections can be made as BSP thread or as SAE-6000PSI flange connections. Our products can be provided with material certificates, conservation reports and/or inspection reports by external parties. The generators below are factory-fitted with silencers.

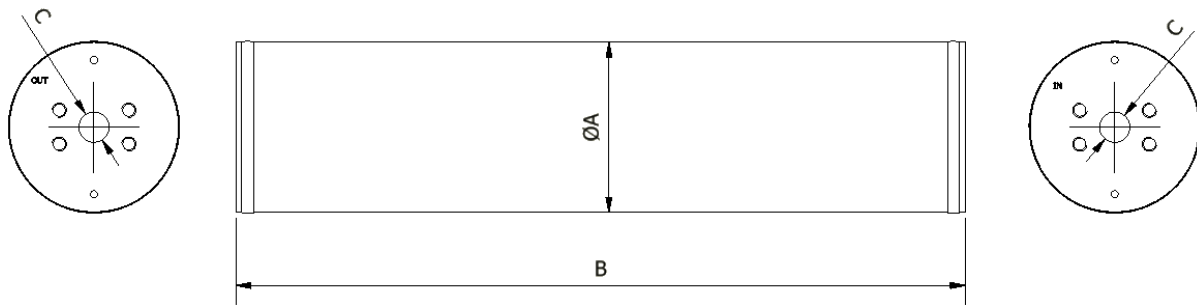


Ordercode

Hydraulic Silencers | Industrial serie | 350 bar

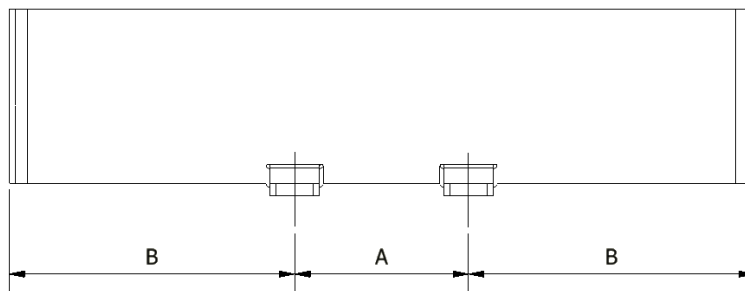


Dimensions Silencers (XX / BM)



Type	A	B	C	Standard connection
SIL-60	Ø95	600	Ø16	3/4 "
SIL-80	Ø115	600	Ø19	3/4 "
SIL-120	Ø140	600	Ø25	1 "

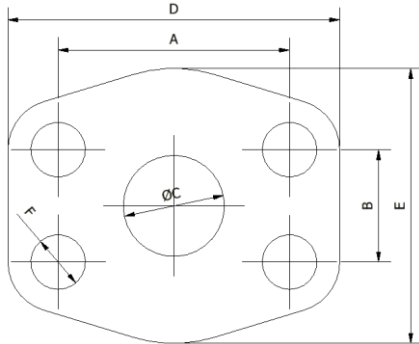
Dimensions Silencers (VM)



Type	A	B
SIL-60	125	237,5
SIL-80	125	237,5
SIL-120	140	230

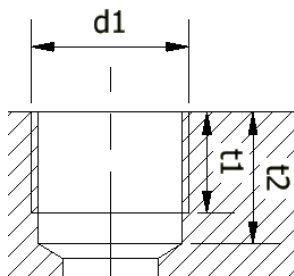
Connections

SAE-6000PSI Flange connection (S)



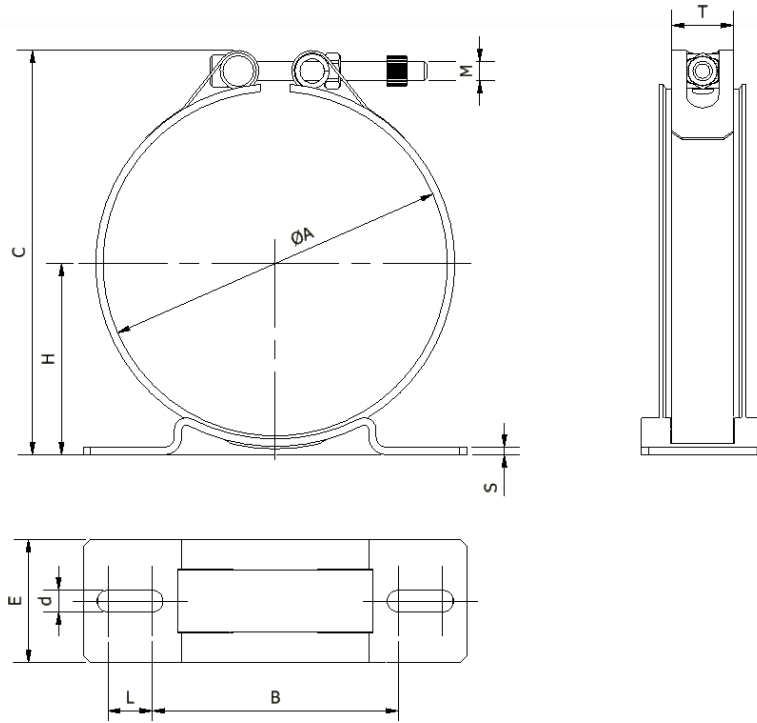
Code	Size	A	B	C	D	E	F
S34	3/4"	50,80	23,80	19	71	53	M10
S100	1"	57,18	27,76	25	80	66	M12
S114	1-1/4"	66,68	31,75	32	94	77	M14

BSP-thread connection (G)



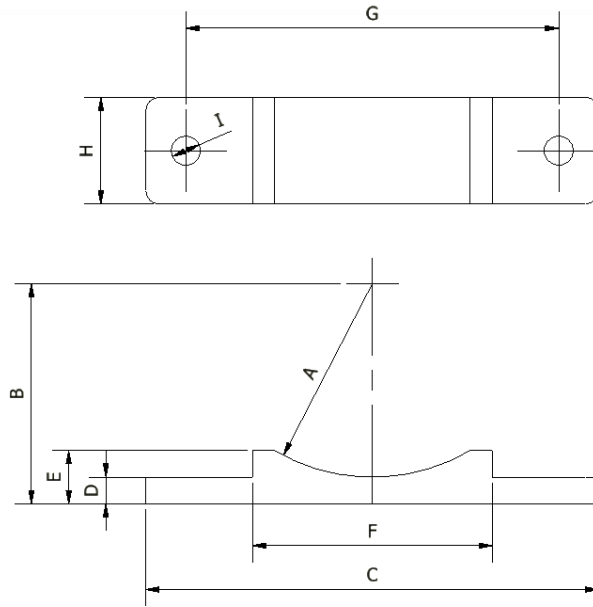
Code	d1	t1	t2
G34	G3/4"	17.00	31.00
G100	G1"	19.00	36.00
G114	G1-1/4"	21.00	42.00

Clamp (BM)



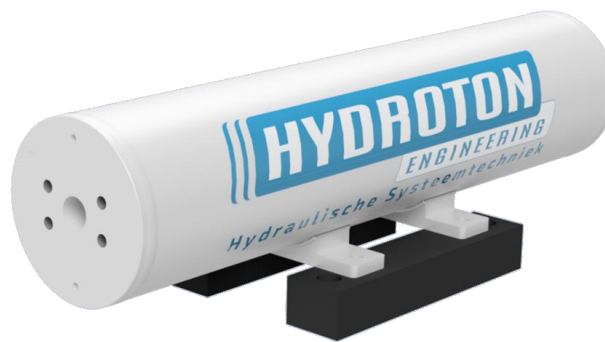
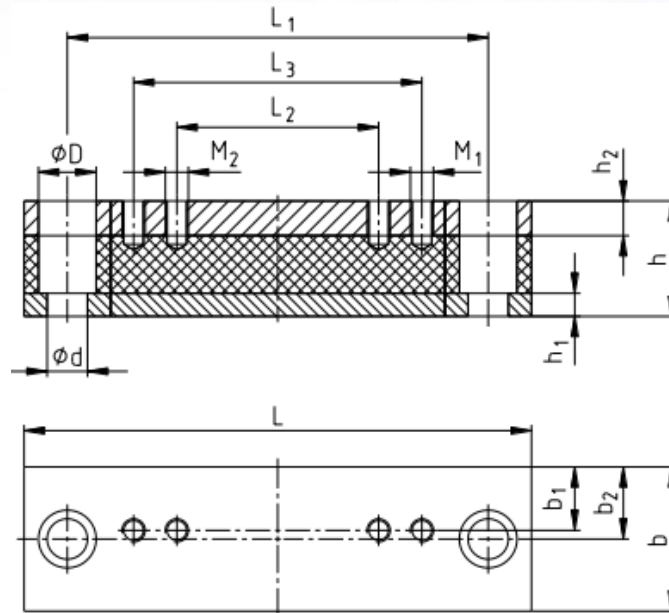
Type	A	H	C	M	S	E	d	L	B	T
BM-SIL-60	95-100	54,5-56,5	120	M6x50	3	40	9	6	85	20x0,8
BM-SIL-80	119-127	66,8-70,8	154	M8x80	3	50	9	18	100	25x1,0
BM-SIL-120	137-145	76,0-80,0	172	M8x80	3	50	9	18	100	25x1,0

Feet (VM)



Type	A	B	C	D	E	F	G	H	I
VM-SIL-60	47,5	57,5	155	10	20	70	125	40	9
VM-SIL-80	57,5	67,5	155	10	20	80	125	40	9
VM-SIL-120	70	80	170	10	20	90	140	40	11

Vibration damper (D)



Type	L	L1	L2	H	H1	H2	B	B1	B2	d	D	M1
DSM 90	240	205	125	40	8	12	50	24	25	14	20	M8
DSM 100	240	205	140	40	8	12	50	22	25	14	20	M10

Colophon

Edition Hydroton B.V.
Engineering department

Hydroton B.V.
Damzigt 23
3454PS De Meern
Utrecht, Netherlands

Telephone Sales
+31 302425090

General
+31 085 0190791

E-Mail Sales
Sales@hydroton.nl

Service
service@hydroton.nl

General
info@hydroton.nl

Website www.hydroton.nl

Version 2.0
Publication date 01/2025

Liability

Contents

Although the greatest possible care is taken in the preparation and maintenance of this document, there is always the possibility that certain information may become out of date or no longer correct over time. Hydroton B.V. is therefore not liable for the consequences of activities undertaken on the basis of this document.

Copyright

No part of the text or graphics in this document may be reproduced without the written permission of Hydroton B.V. be reproduced and/or made public by printing, photocopying, faxing, retyping, storage in an automated data file or otherwise, which applies to the entire or partial processing. Requests for permission or further information should be sent to the general e-mail address.

Terms and Conditions

The general terms and conditions of Hydroton B.V. apply to offers, assignments, order confirmations and deliveries. applicable, you can read the general terms and conditions on our website: www.hydroton.nl.